



Model # 557010

**ADJUSTABLE
EXTRA HEAVY DUTY
PORTABLE
WORK STAND**

SALES AND MARKETING

2417 SEAMAN AVENUE
SOUTH EL MONTE, CA 91733

Phone: (800) 221-9705

USA Toll Free

Fax: (877) 318-2194

Phone: (626) 228-3170

Fax: (626) 228-3124

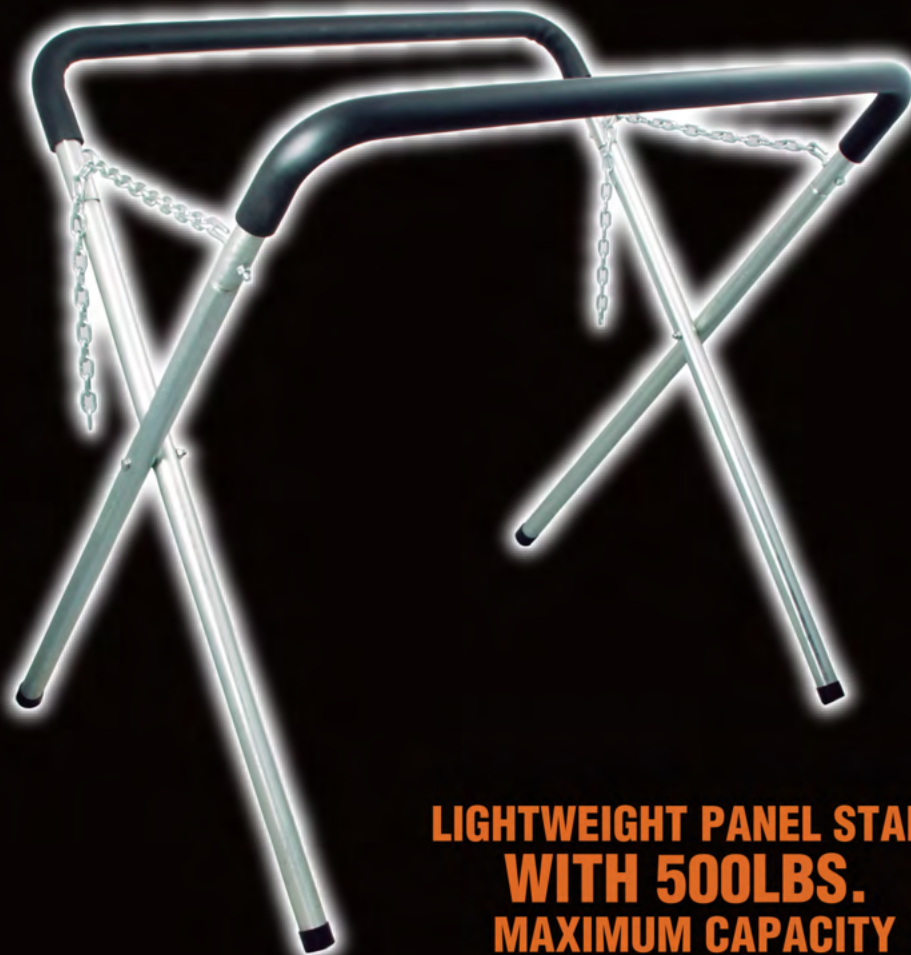
372 OLD US HIGHWAY
52 SOUTH

MT. AIRY, NC 27030

(800) 221-9705

Phone: (336) 786-6432

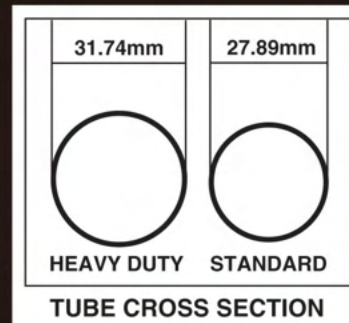
Fax: (336) 786-4992



**LIGHTWEIGHT PANEL STAND
WITH 500LBS.
MAXIMUM CAPACITY**

Model	Maximum Capacity	Adjustable Height	Stand Dimensions in Completely Folded Position	Weight
557010	500lbs	33" to 45" High	44" W x 42" H	16 lbs
Stand Dimensions in Adjustable Operating Position			Tubing Diameter	
Maximum Height: 14" D x 41" H x 40" W Minimum Height: 32" D x 25" H x 40" W			1 1/4" (32mm) O.D. Round Tubing	

**GREAT FOR WORKING
ON DOORS, FENDERS,
HOODS AND BUMPERS**



Astro

E-mail : astrotools@astrotools.com

WEBSITE : www.astrotools.com



PAINT & BODY

